

# EP-S31-W-NB Mounting Bracket

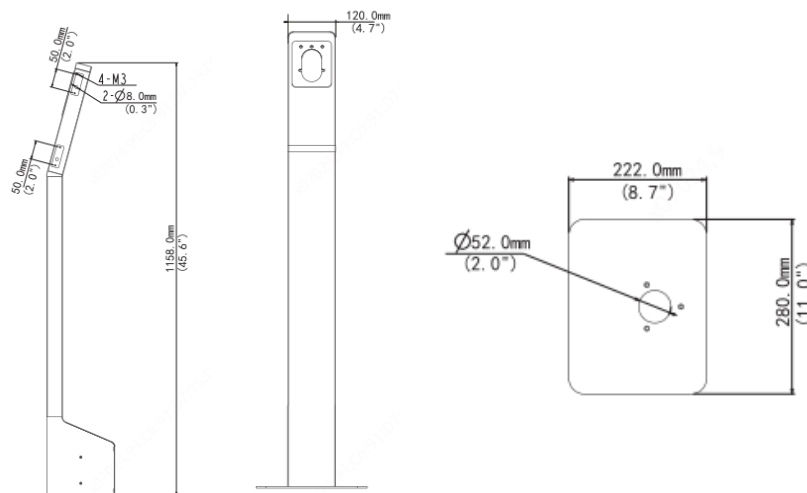
## Product Picture



## Product Specification

Features Parameter	Description
Material	Stainless Steel
Weight	6.85KG
Dimensions (L×W×H)	280mm×222mm×1158mm
Protection Level	IP 54
Application Situation	Outdoor, Indoor

## Product Dimensions



### Zhejiang Uniview Technologies Co., Ltd.

Building No.10, Wanlun Science Park, Jiangling Road 88, Binjiang District, Hangzhou, Zhejiang, China (310051)

Email: [overseasbusiness@uniview.com](mailto:overseasbusiness@uniview.com); [globalsupport@uniview.com](mailto:globalsupport@uniview.com)

<http://www.uniview.com>

©2019 Zhejiang Uniview Technologies Co., Ltd. All rights reserved.

\*Product specifications and availability are subject to change without notice.